



SMALL COMPACT FILTER SILENCERS

w/ Standard Filter Design

"FS" Series 1/2" - 3" BSPT

FILTER SILENCERS
QB, FS, BBF, LQB, PS, SLCR Series

APPLICATIONS & EQUIPMENT

- ♦ Industrial & Severe Duty
- ♦ Piston Compressors
- ♦ Screw Compressors
- ♦ Blowers - Side Channel & Roots
- ♦ Hydraulic Breathers – fine filtration
- ♦ Engines
- ♦ Construction\Contractor Industry
- ♦ Workshop
- ♦ Medical\Dental Industry
- ♦ Pneumatic Conveying
- ♦ Waste Water Aeration
- ♦ Nailers and Staplers
- ♦ Vacuum Vent Breathers

FEATURES & SPECIFICATIONS

- ♦ Fully drawn weatherhood - no welds to rust or vibrate apart
- ♦ Tubular silencing design - tube is positioned to maximize attenuation and air flow while minimizing pressure drop
- ♦ Durable carbon steel construction with baked enamel finish and powder coated weatherhood
- ♦ Polyester: 99%+ removal efficiency standard to 5 micron
- ♦ Paper: 99%+ removal efficiency standard to 2 micron
- ♦ Interchangeable media: Polyester, Paper, HEPA
- ♦ Several element sizes available per given connection (safety factor)
- ♦ Temp (continuous): min -26°C (-15°F) max 104°C (220°F)
- ♦ Filter change out differential: 255-380 mm H₂O over initial delta P
- ♦ Pressure drop graphs available upon request

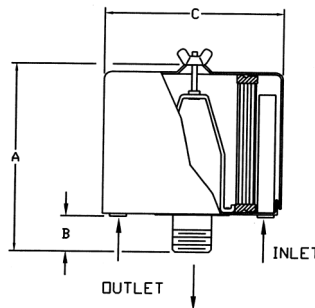
OPTIONS (Inquiries Encouraged)

- ♦ 1/8" tap holes
- ♦ Pressure Drop Indicator
- ♦ Available in **Stainless Steel**
- ♦ Epoxy coated housings
- ♦ Various media available
- ♦ Custom connections, MPT

CONFIGURATION

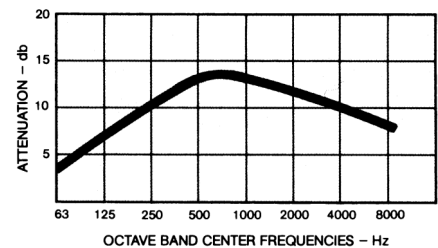


DRAWING



Dimension tolerance ± 6 mm

TYPICAL NOISE ATTENUATION – FS SERIES



♦ Noise attenuation may vary due to the wide range of applications and machines

I = Industrial Duty S = Severe Duty

	with Polyester Element	with Paper Element	BSPT Outlet	DIMENSIONS - mm			Rated Flow m ³ /h			No. of Silencing Tubes	Approx. Wt. Kg
				A	B	C	Piston	Screw, Blower, Fan	Element Rating		
I	FS-15-050	FS-14-050	1/2"	102	38	152	17	17	60	1	0.8
I	FS-15-075	FS-14-075	3/4"	102	38	152	34	43	60	2	0.9
I	FS-15-100	FS-14-100	1"	102	38	152	43	60	60	3	0.9
S	FS-19P-100	FS-18P-100	1"	168	41	152	60	94	170	3	1.4
I	FS-19P-126	FS-18P-126	1 1/4"	168	41	152	94	119	170	5	1.5
I	FS-19P-151	FS-18P-151	1 1/2"	168	41	152	119	145	170	5	2
I	FS-31P-201	FS-30P-201	2"	184	57	254	145	230	332	5	4
S	FS-231P-201	FS-230P-201	2"	311	57	254	230	230	510	5	6
I	FS-31P-251	FS-30P-251	2 1/2"	191	64	254	170	332	332	5	4
S	FS-231P-251	FS-230P-251	2 1/2"	318	64	254	332	332	510	9	7
I	FS-231P-301	FS-230P-301	3"	330	76	254	340	510	510	9	7

Note: Model offerings and design parameters may change without notice.

Solberg – Discover the Possibilities