



# Small Compact Filter Silencers w/ Standard Filter Design

"FS" Series 1/2" - 3" MPT

FILTER SILENCERS  
FS, 2G, LQB, BBF, SLCR Series

## APPLICATIONS & EQUIPMENT

- ♦ Industrial & Severe Duty
- ♦ Piston Compressors
- ♦ Screw Compressors
- ♦ Blowers - Side Channel & P.D.
- ♦ Hydraulic Breathers – fine filtration
- ♦ Engines
- ♦ Construction\Contractor Industry
- ♦ Workshop
- ♦ Medical\Dental Industry
- ♦ Pneumatic Conveying
- ♦ Waste Water Aeration
- ♦ Nailers and Staplers
- ♦ Vacuum Vent Breathers

## FEATURES & SPECIFICATIONS

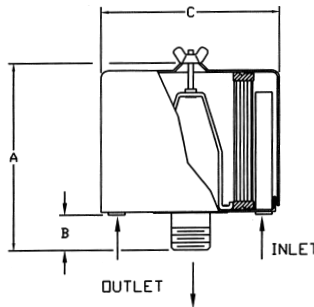
- ♦ Polyester: 99%+ removal efficiency standard to 5 micron
- ♦ Paper: 99%+ removal efficiency standard to 2 micron
- ♦ Fully drawn weatherhood - no welds to rust or vibrate apart
- ♦ Tubular silencing design - tube is positioned to maximize attenuation and air flow while minimizing pressure drop
- ♦ Durable carbon steel construction with baked enamel finish and powder coated weatherhood
- ♦ Interchangeable media: Polyester, Paper, HEPA
- ♦ Several element sizes available per given connection (safety factor)
- ♦ Temp (continuous): min -15°F (-26°C) max 220°F (104°C)
- ♦ Filter change out differential: 10"-15" H<sub>2</sub>O over initial delta P
- ♦ Pressure drop graphs available upon request

## OPTIONS (Inquiries Encouraged)

- ♦ 1/8" tap holes
- ♦ Pressure Drop Indicator
- ♦ Available in **Stainless Steel**
- ♦ Epoxy coated housings
- ♦ Various media available
- ♦ Special connections, BSPT

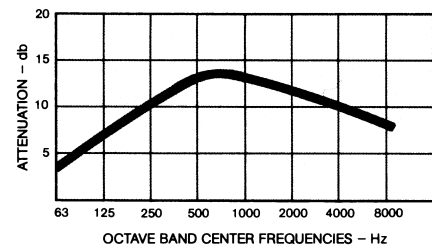
## CONFIGURATION

## DRAWING



Dimension tolerance  $\pm 1/4"$

TYPICAL NOISE ATTENUATION – FS SERIES



♦ Noise attenuation may vary due to the wide range of applications and machines

**I = Industrial Duty S = Severe Duty**

	with Polyester Element	with Paper Element	MPT Outlet	DIMENSIONS - inches			Rated Flow SCFM			No. of Silencing Tubes	Approx. Wt. lbs
				A	B	C	Piston	Screw, Blower, Fan	Element Rating		
I	FS-15-050	FS-14-050	1/2"	4	1 1/2	6	10	10	35	1	2
I	FS-15-075	FS-14-075	3/4"	4	1 1/2	6	20	25	35	2	2
I	FS-15-100	FS-14-100	1"	4	1 1/2	6	25	35	35	3	2
S	FS-19P-100	FS-18P-100	1"	6 5/8	1 5/8	6	35	55	100	3	3
I	FS-19P-125	FS-18P-125	1 1/4"	6 5/8	1 5/8	6	55	70	100	5	3
I	FS-19P-150	FS-18P-150	1 1/2"	6 5/8	1 5/8	6	70	85	100	5	4
I	FS-31P-200	FS-30P-200	2"	7 1/4	2 1/4	10	85	135	195	5	8
S	FS-231P-200	FS-230P-200	2"	12 1/4	2 1/4	10	135	135	300	5	14
S	FS-231P-250	FS-230P-250	2 1/2"	12 1/2	2 1/2	10	195	195	300	9	15
I	FS-231P-300	FS-230P-300	3"	13	3	10	200	300	300	9	15

Note: Model offerings and design parameters may change without notice.

1151 Ardmore Ave. • Itasca, IL 60143 USA

Sales/Service: 630.773.1363 • Fax: 630.773.0727

E-mail: sales@solbergmfg.com • Web Site: www.solbergmfg.com

Solberg – Discover the Possibilities

FS25-406